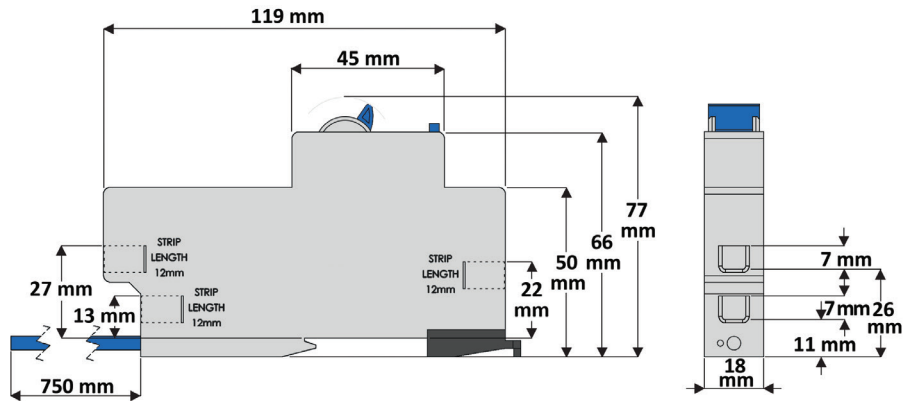


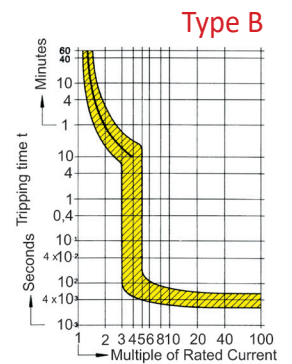
RtecX1 SP+N RCBOs



The RtecX1 SP+N RCBO features a live disconnect, single pole switching and dual pole sensing with solid neutral. A Functional earth connection is required to ensure correct operation in case of neutral failure.

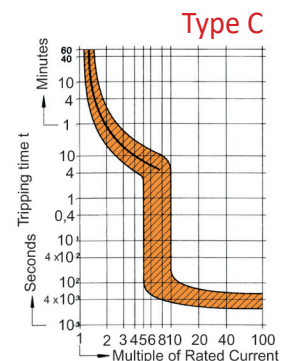
RtecX1 Technical Specification

Number of Poles	1P+N
Rated Voltage (Un)	230 Vac
Rated Current	6, 10, 16, 20, 25, 32, 40A
Rated Residual Operating Current (I _n)	30, 100mA
Rated Short Circuit Capacity (I _{nc})	10kA
Overload Tripping	Trip Curves Type B and C
Ambient Operating Range Temp.	-25 to 60°C
Maximum Relative Humidity	90% @ -25°C / 50% @ 60°C
Electrical Life	4000 Switching Operations



RtecX1 Temperature Compensation

Rated Current of MCB	MCB Temperature Compensation								
	Effective Rated Current allowing for Ambient Temperature.								
I _n (A)	I _{cor} (A)								
	Ambient Temperature								
	-25°C	-15°C	0°C	10°C	20°C	30°C	40°C	50°C	60°C
6.0	7.1	6.9	6.6	6.4	6.2	6.0	5.7	5.4	4.8
10.0	11.8	11.5	11.0	10.7	10.3	10.0	9.5	9.0	8.0
16.0	18.8	18.3	17.6	17.1	16.6	16.0	15.1	14.3	12.9
20.0	23.5	22.9	22.0	21.4	20.7	20.0	18.9	17.9	16.1
25.0	29.4	28.7	27.5	26.7	25.9	25.0	23.7	22.4	20.1
32.0	37.7	36.7	35.2	34.2	33.1	32.0	30.3	28.7	25.7
40.0	47.1	45.9	44.0	42.7	41.4	40.0	37.9	35.8	32.2



RtecX1 Ordering Scheme

